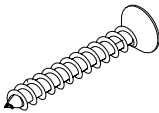

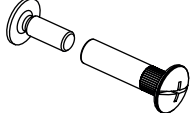
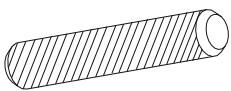
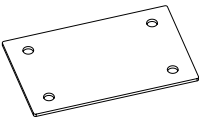
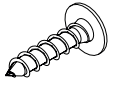
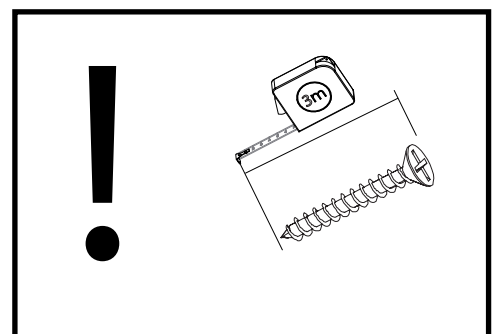


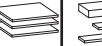






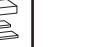
ZAST 02/03

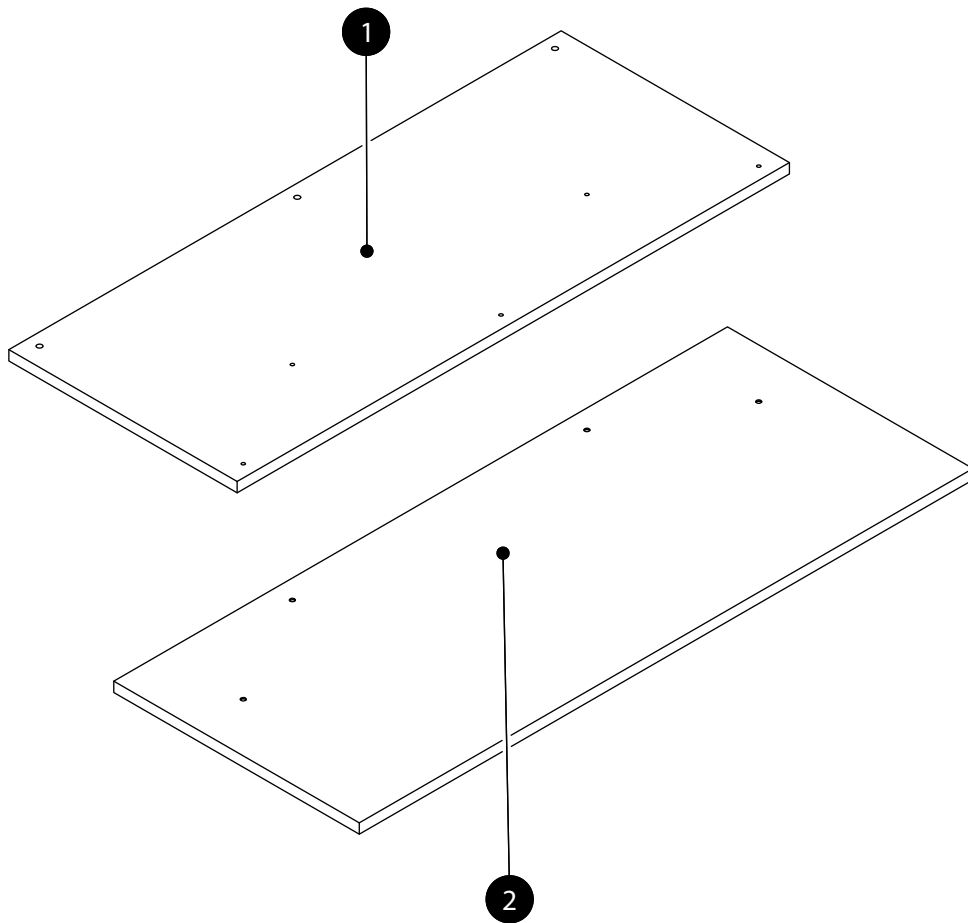
<p>WT18 x 5 4x30</p> 	<p>ZS1 x 3 Ø13</p> 	<p>ZS8 x 3</p> 
<p>K2 x 3 8x60</p> 	<p>PM1 x 1</p> 	<p>WT2 x 4 3,5x16</p> 



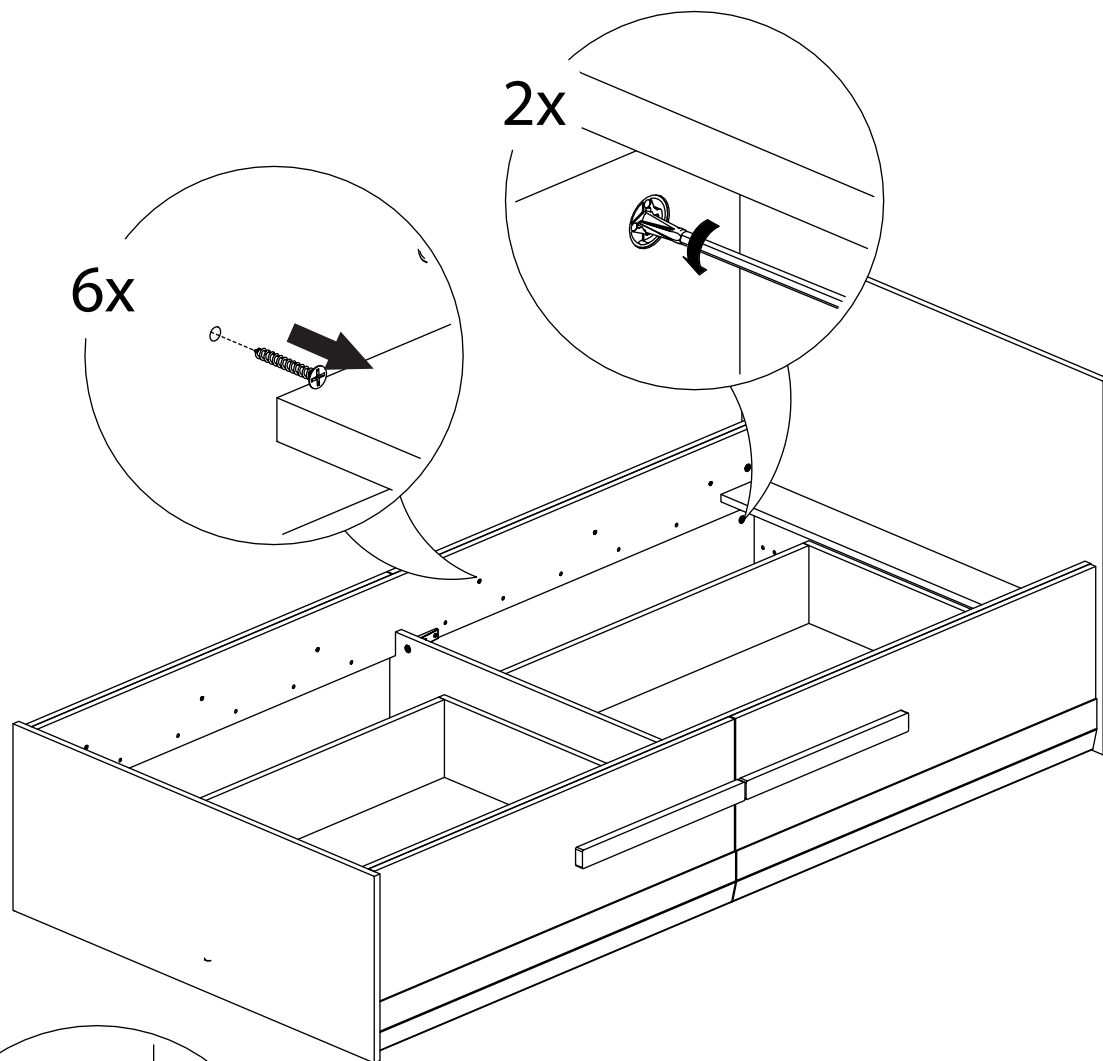
ZAST 02/03

	CODE				
①	Zast02_02	900	372	1	1/1
②	Zast02_01	1000	400	1	1/1

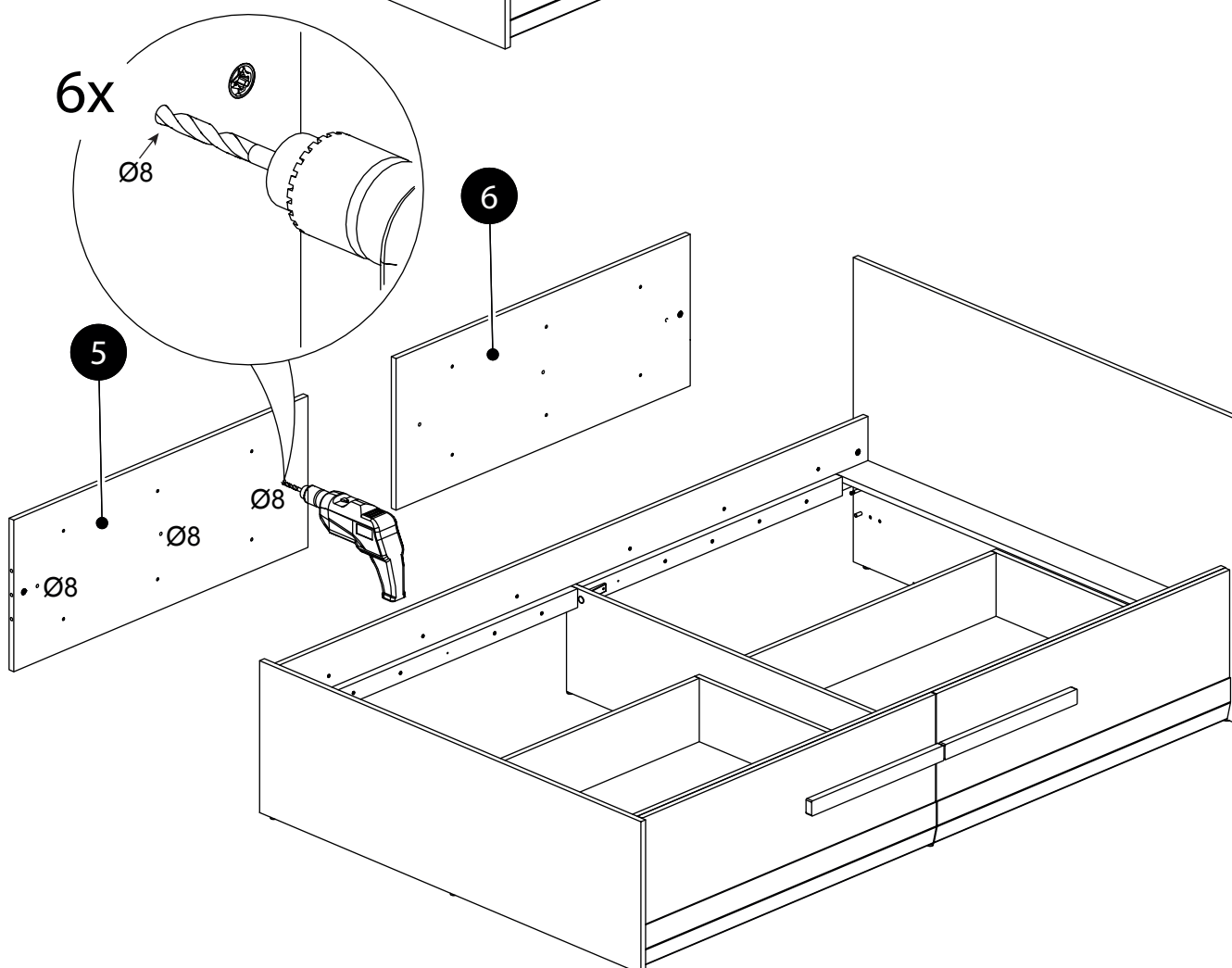
	CODE				
①	Zast03_02	900	372	1	1/1
②	Zast03_01	400	1000	1	1/1



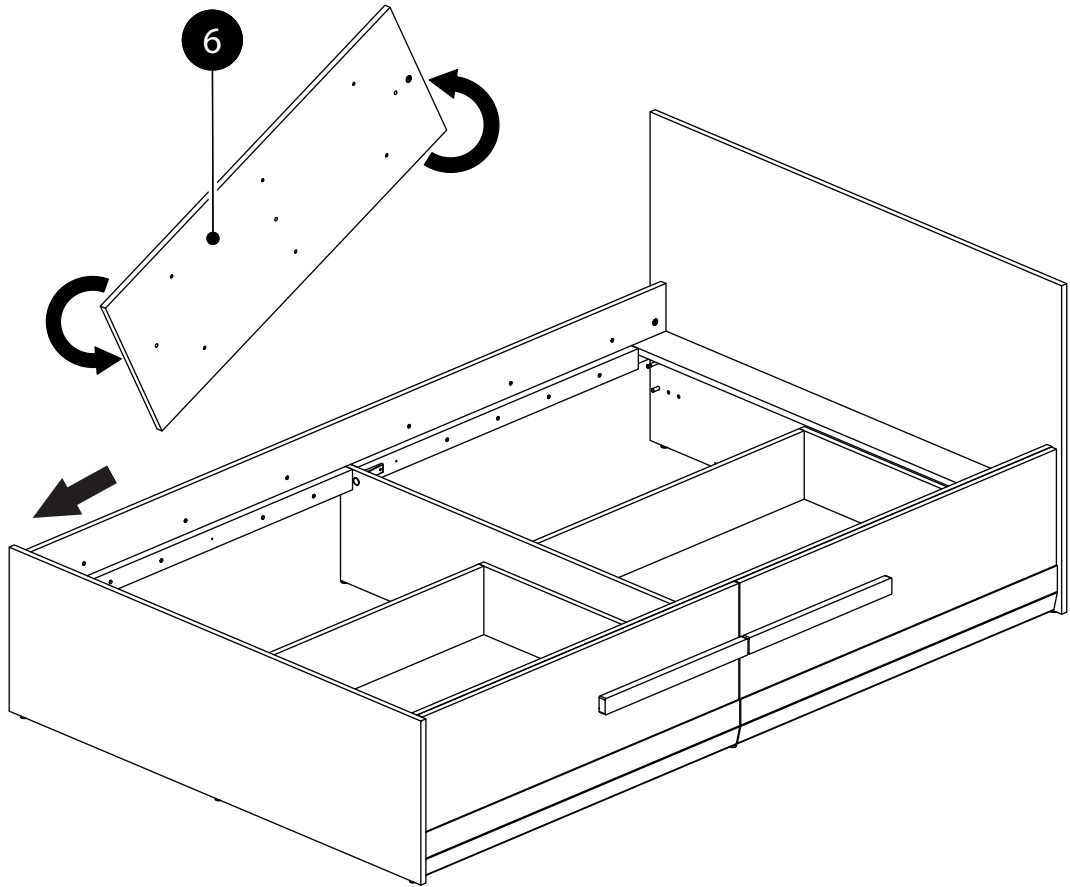
1.



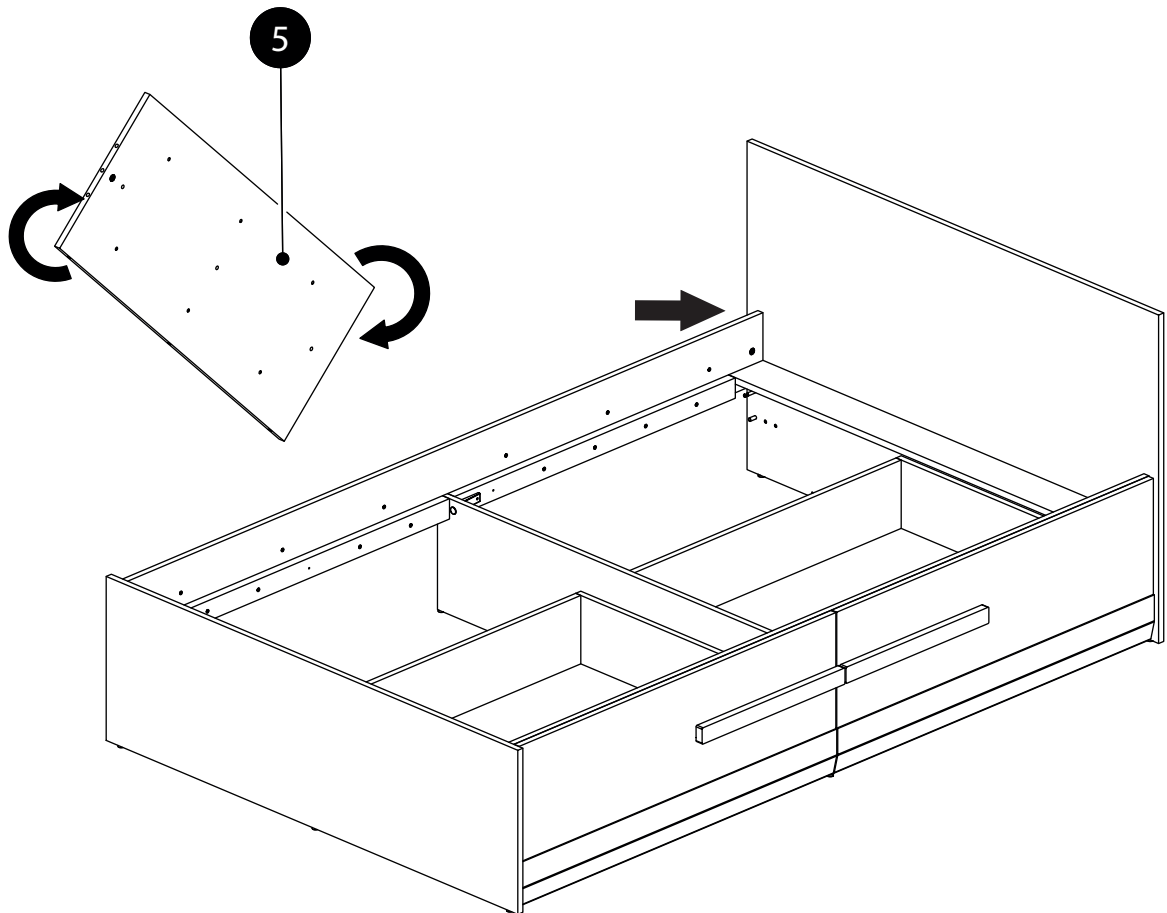
2.

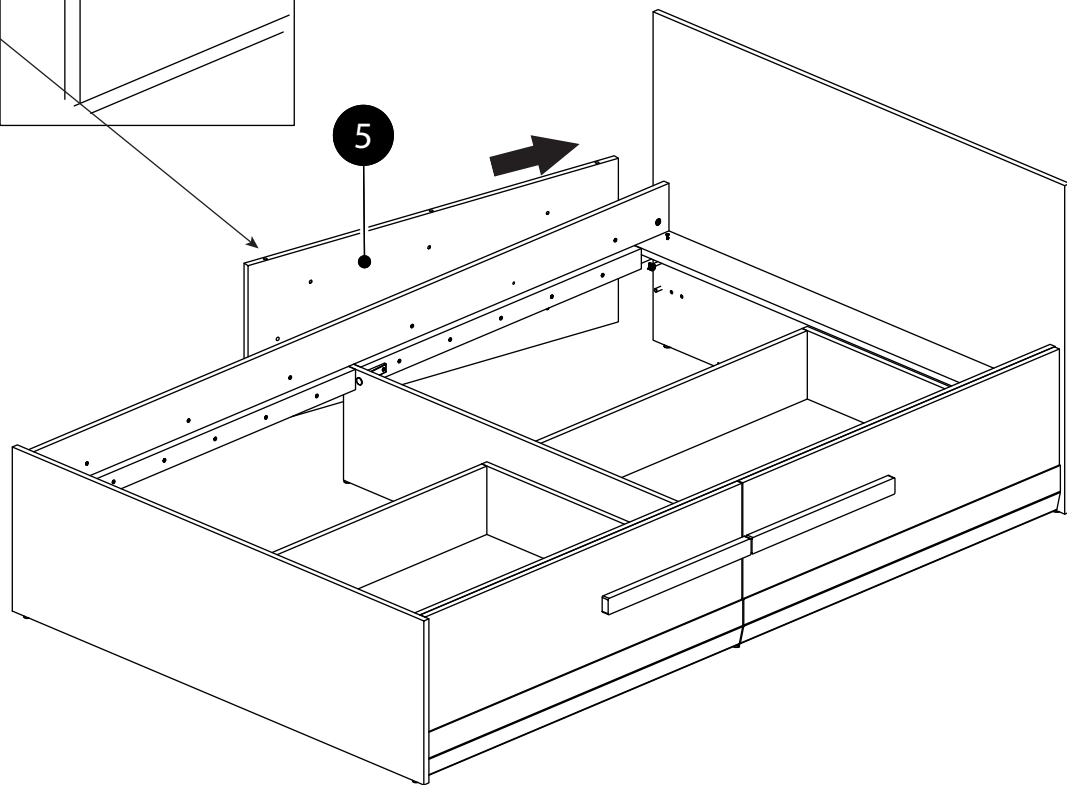
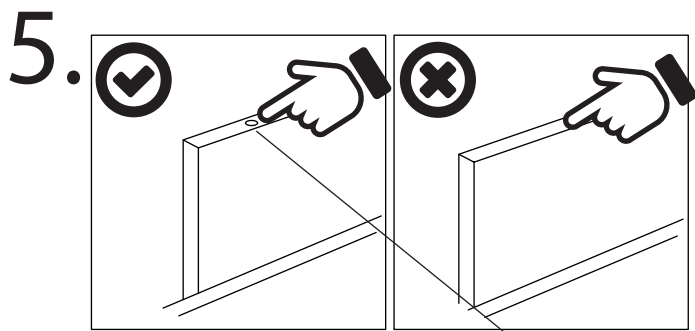


3.

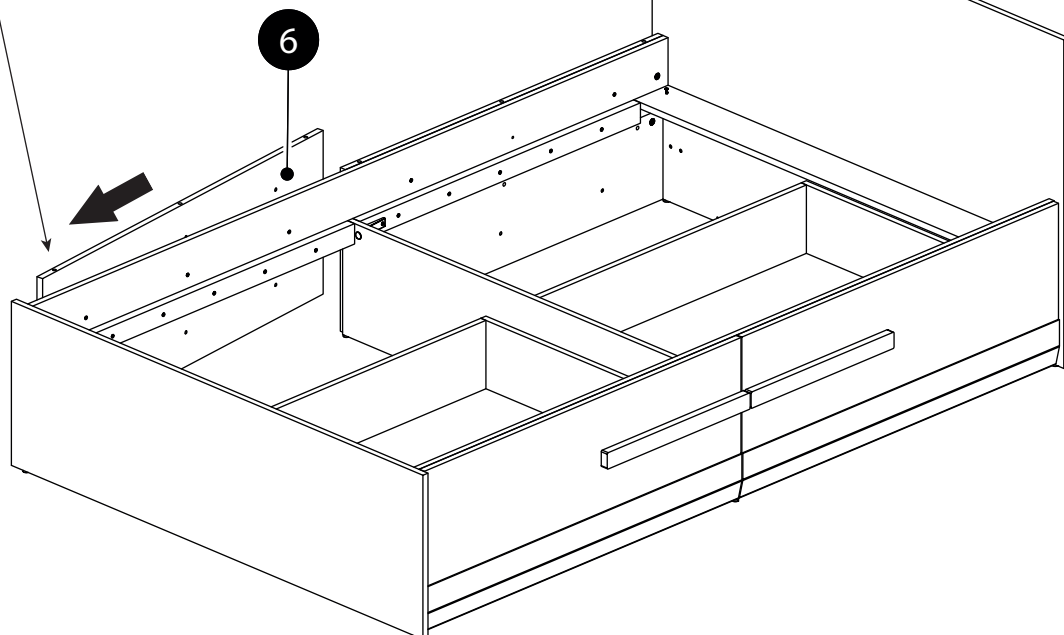
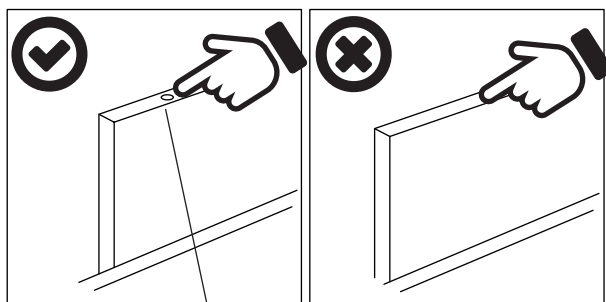


4.

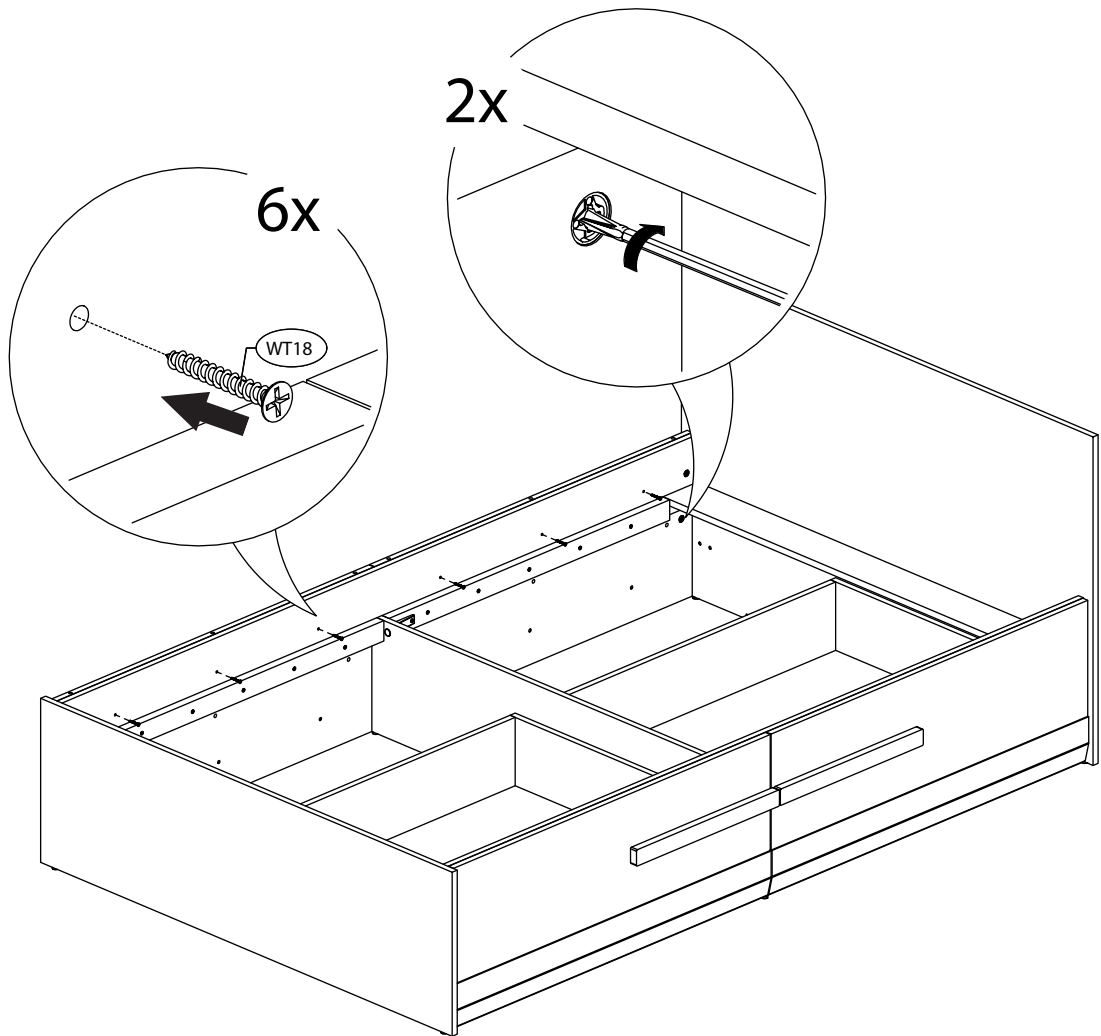




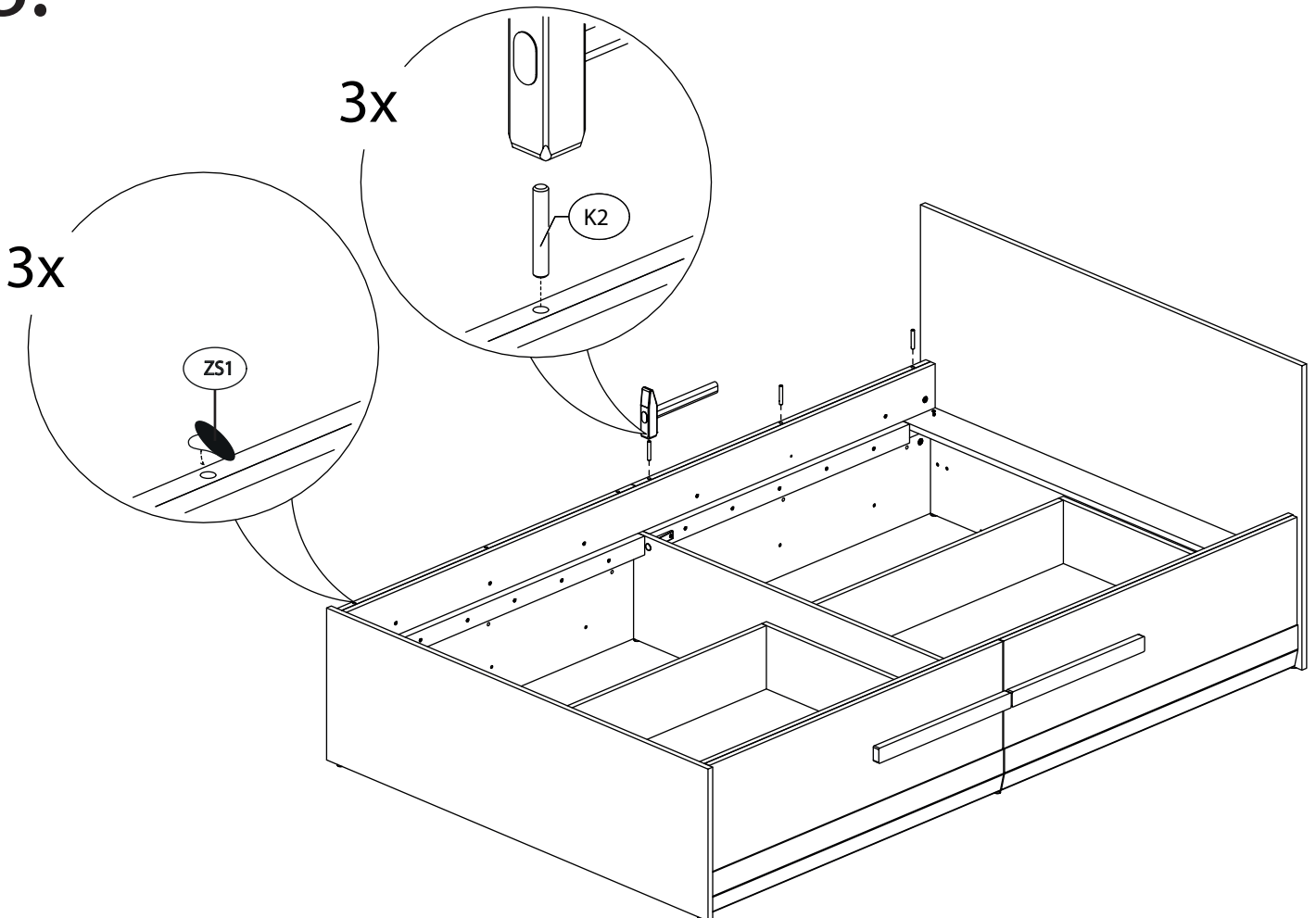
6.



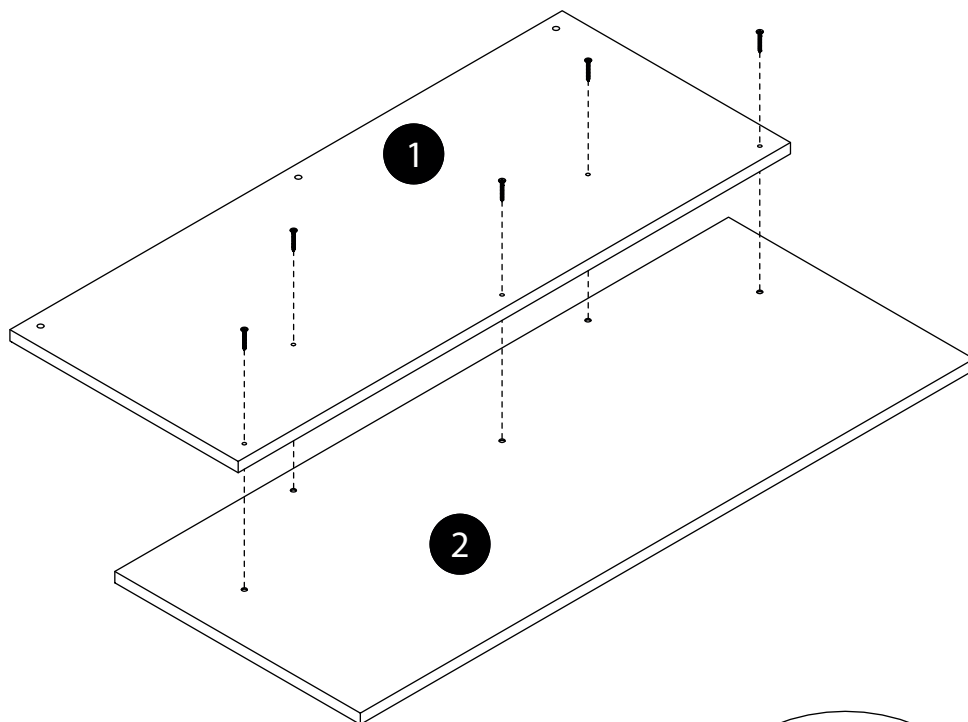
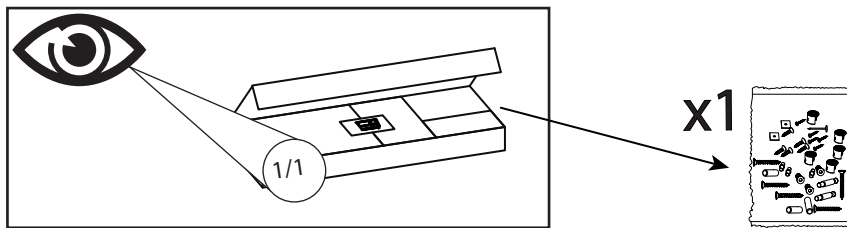
7.



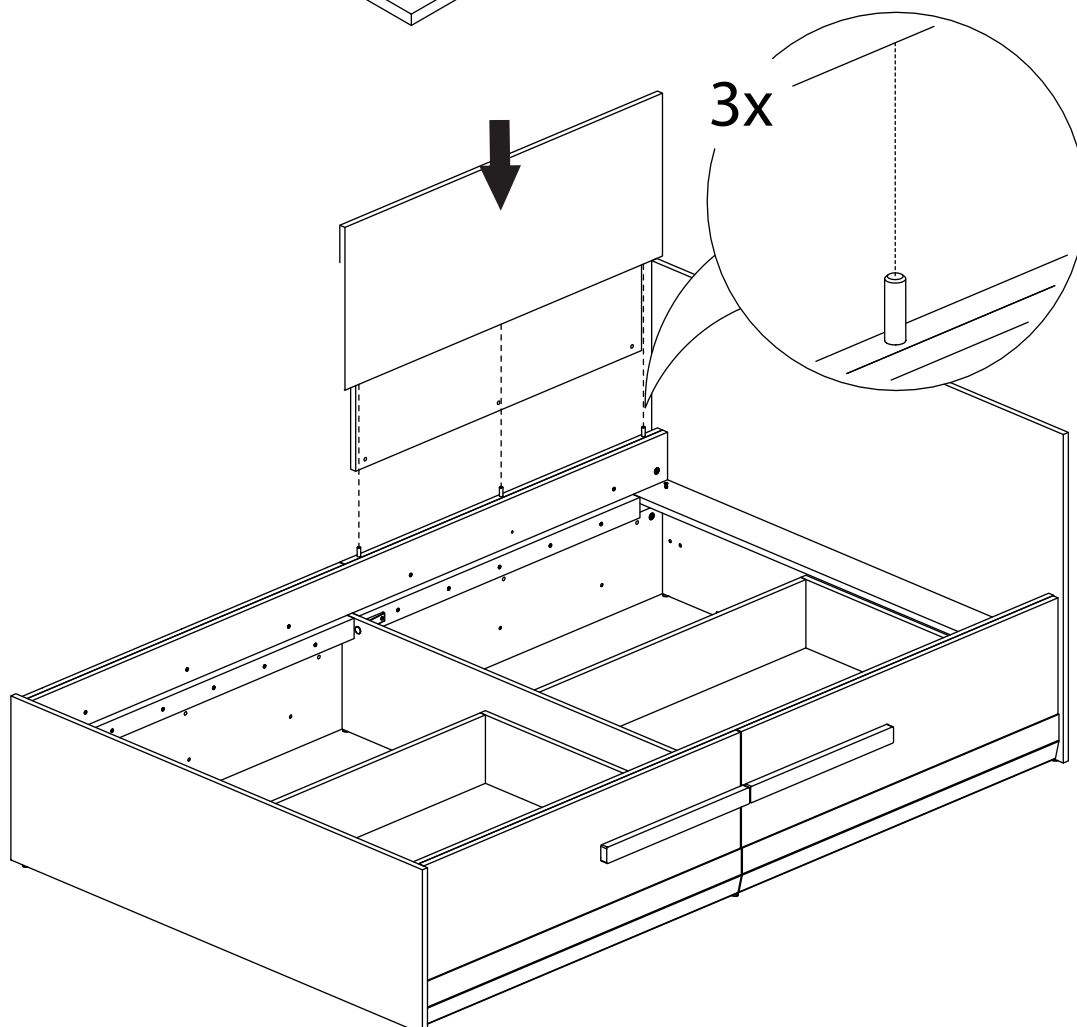
8.



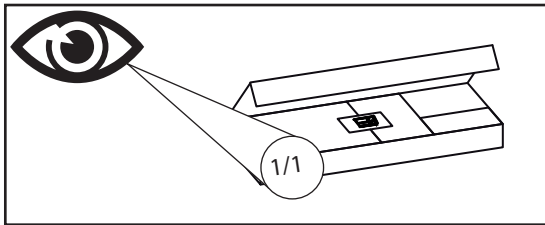
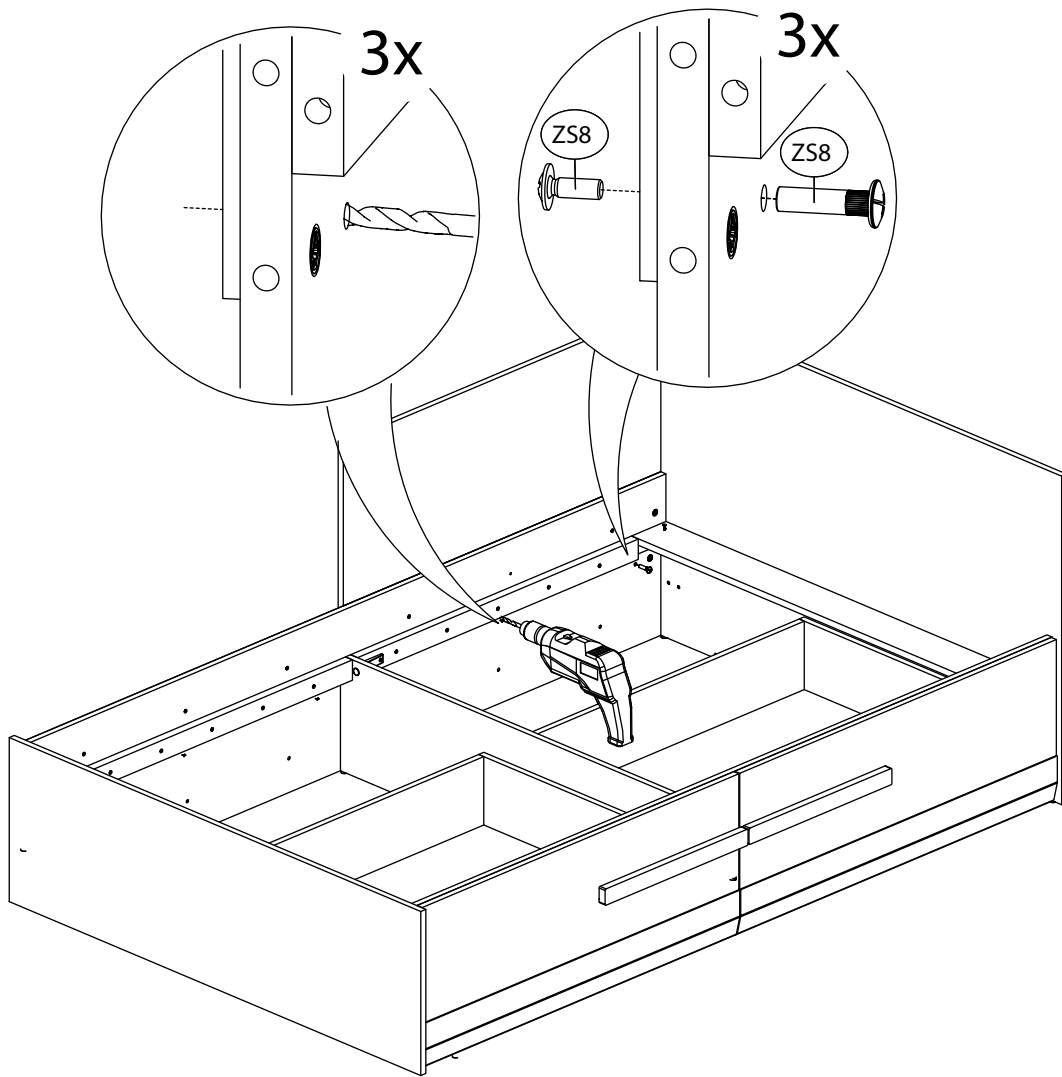
9.



10.



11.



x 2 =

