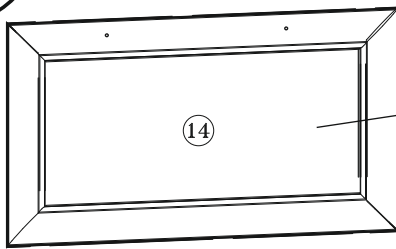
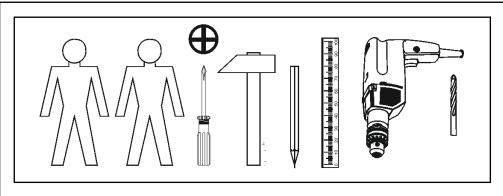
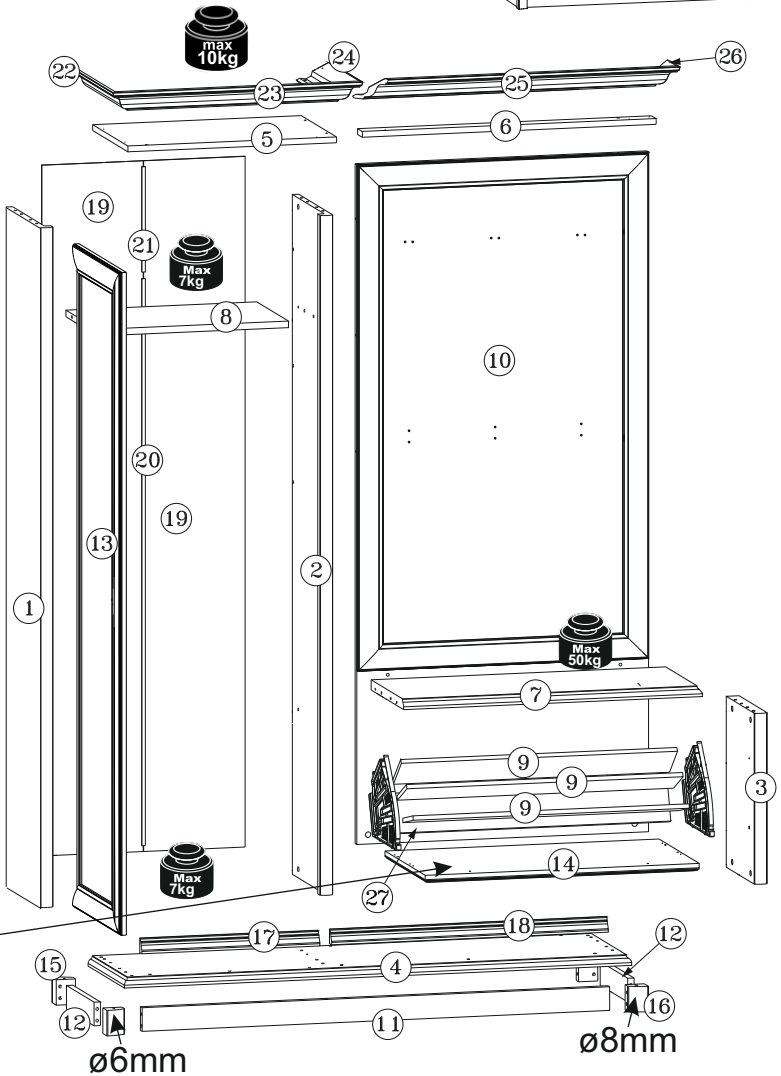
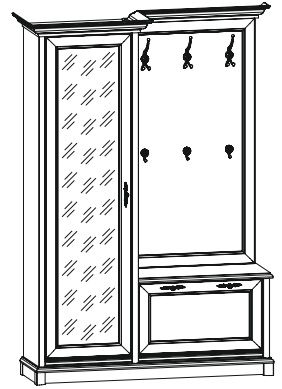
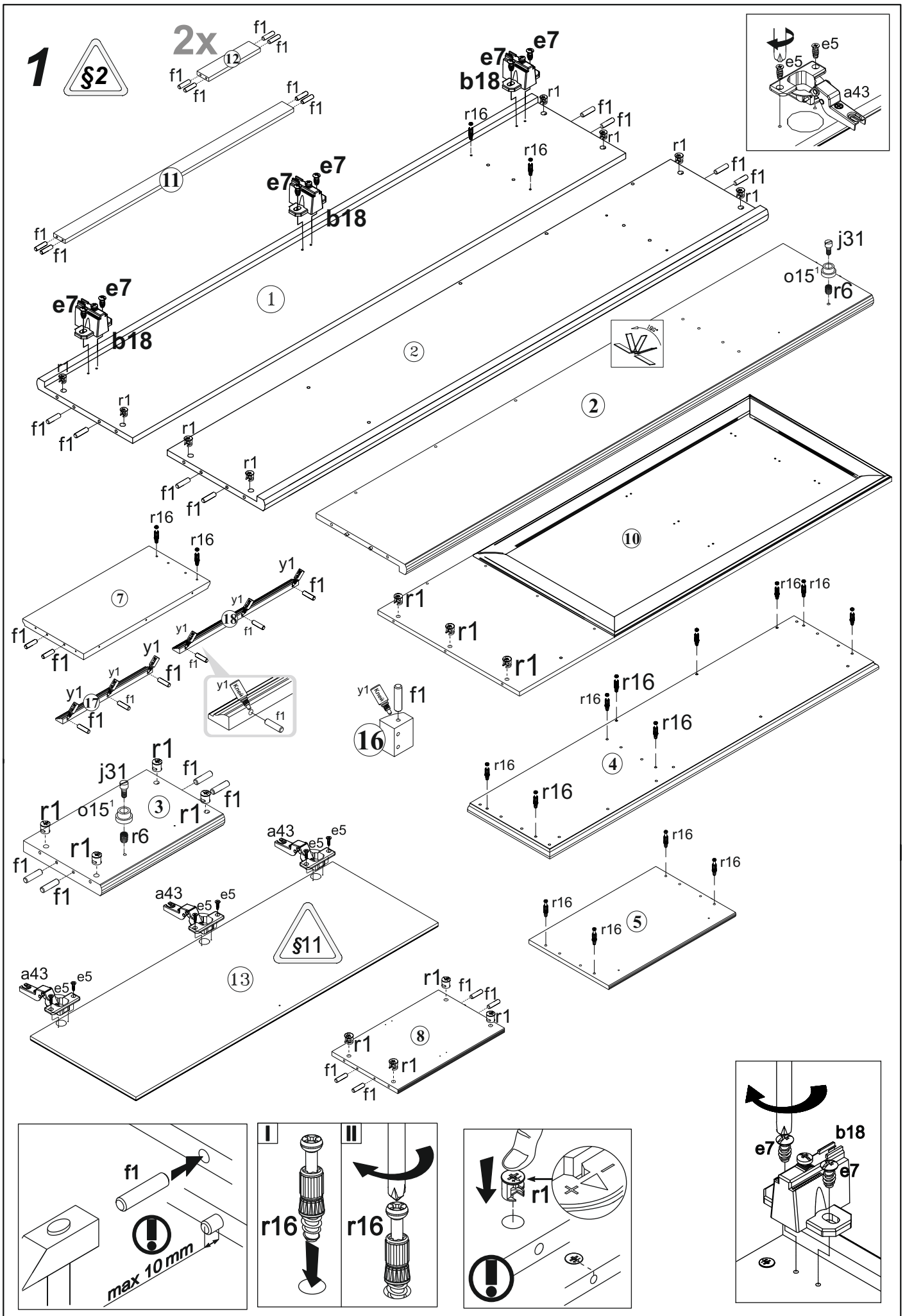
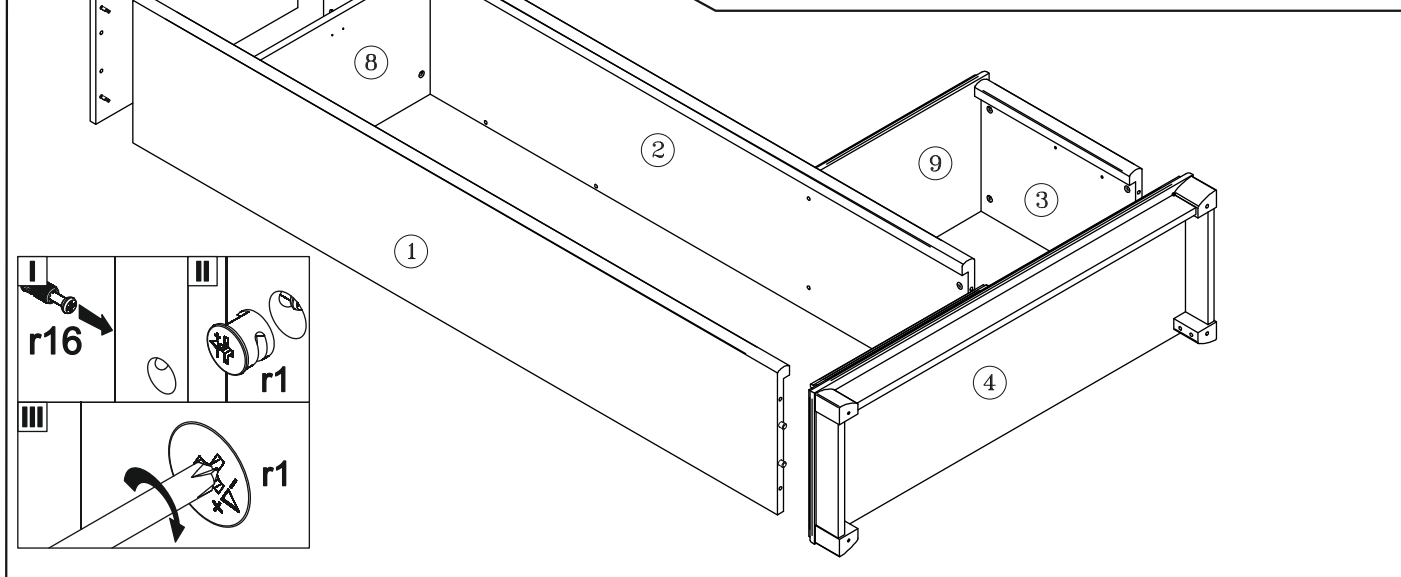
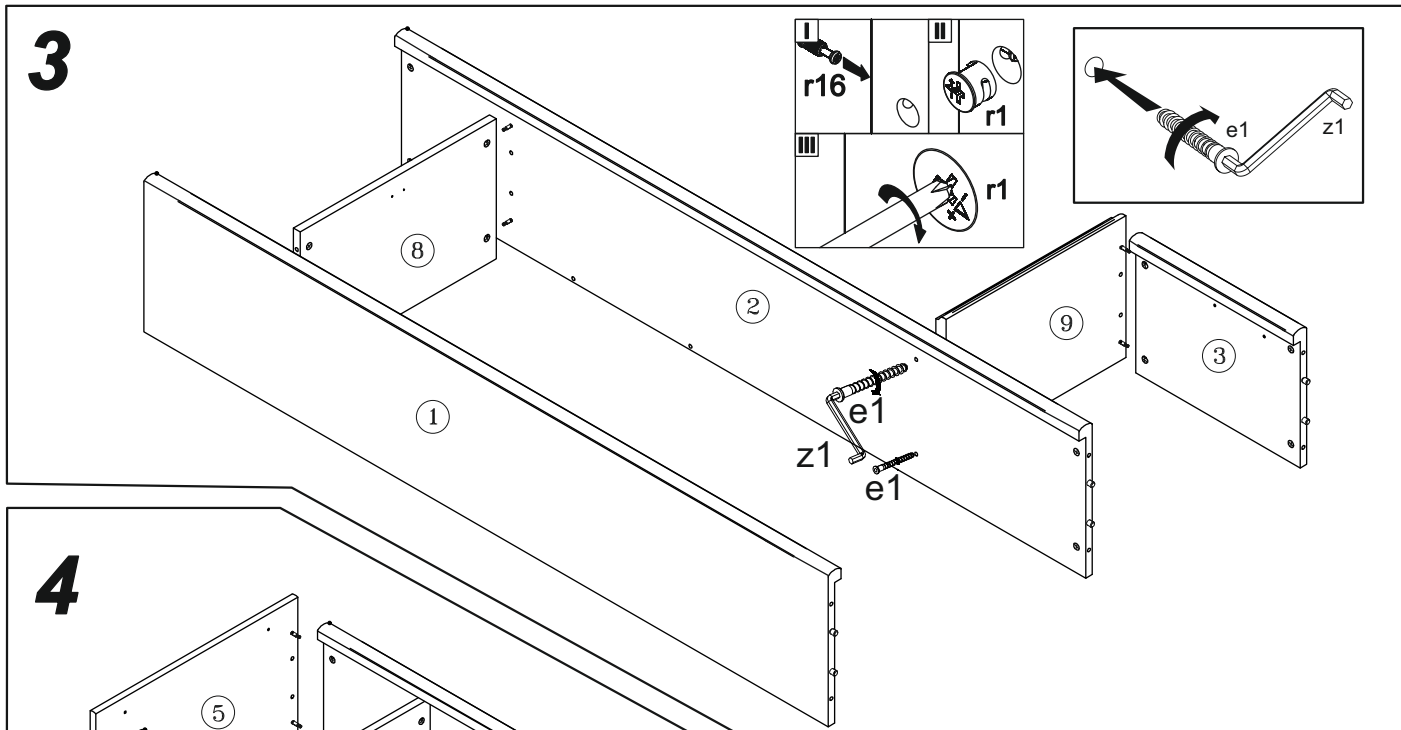
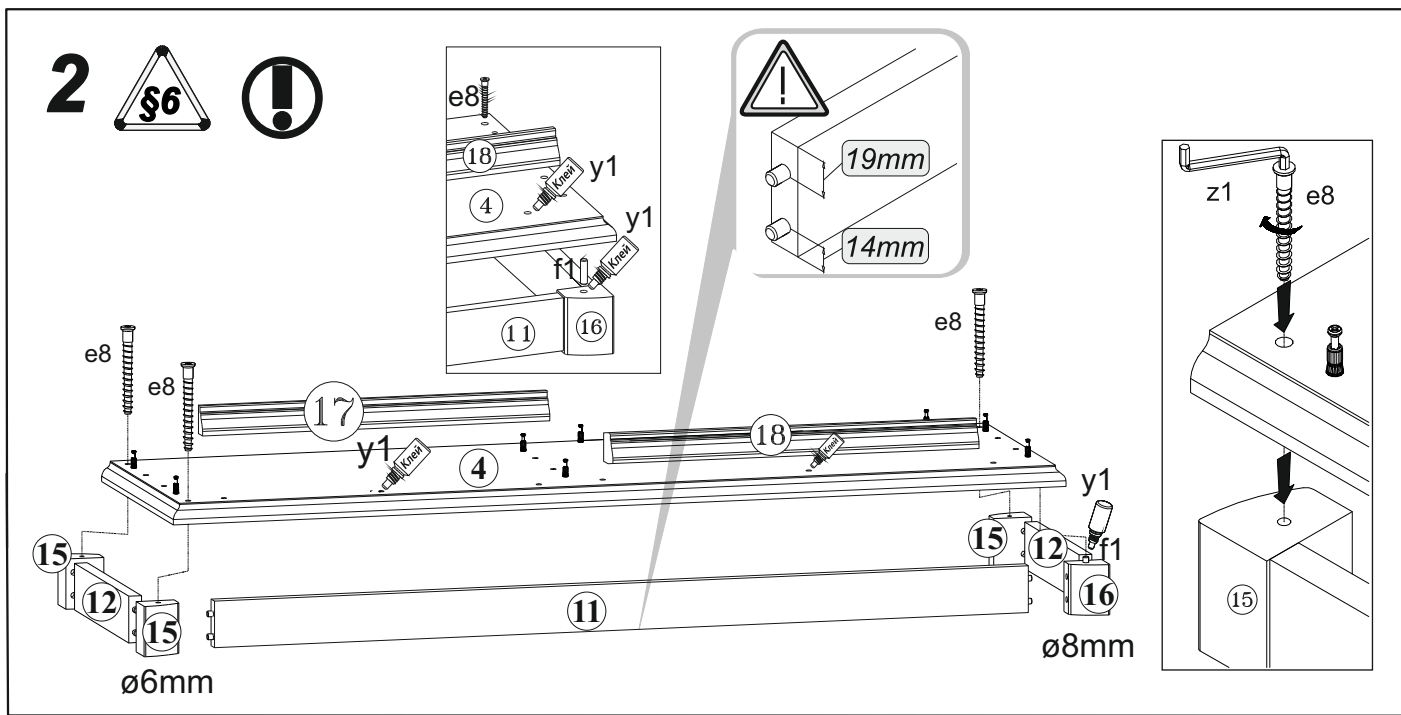


A	B	C	D	
1	KT1-126-01	1870	363	1/3
2	KT1-1108	1870	363	1/3
3	KT1-1109	469	329	3/3
4	KT1-279	1421	380	3/3
5	KT1-210-01	586	370	3/3
6	KT1-280	809	50	3/3
7	KT1-281	821	336	3/3
8	KT1-318	536	332	3/3
9	KT1-448	747	110	3/3
10	KT1-473	1870	809	2/3
11	KT1-474	1309	65	3/3
12	KT1-403	288	65	3/3
13	KT1-026C	1824	495	2/3
14	KT1-049	768	419	3/3
15	KT1-571-01	70	54	3/3
16	KT1-1599-01	70	54	3/3
17	KT1-572	500	40	3/3
18	KT1-1593	773	40	3/3
19	KT1-904	1900	282	1/3
20	LH-1560	1560		1/3
21	LH-290	290		1/3
22	KT1-574	427,5	95,5	3/3
23	KT1-576	701	95,5	3/3
24	KT1-597	399	95,5	3/3
25	KT1-2512	888	95,5	3/3
26	KT1-599	107,5	95,5	3/3
27	KT1-429	747	110	3/3

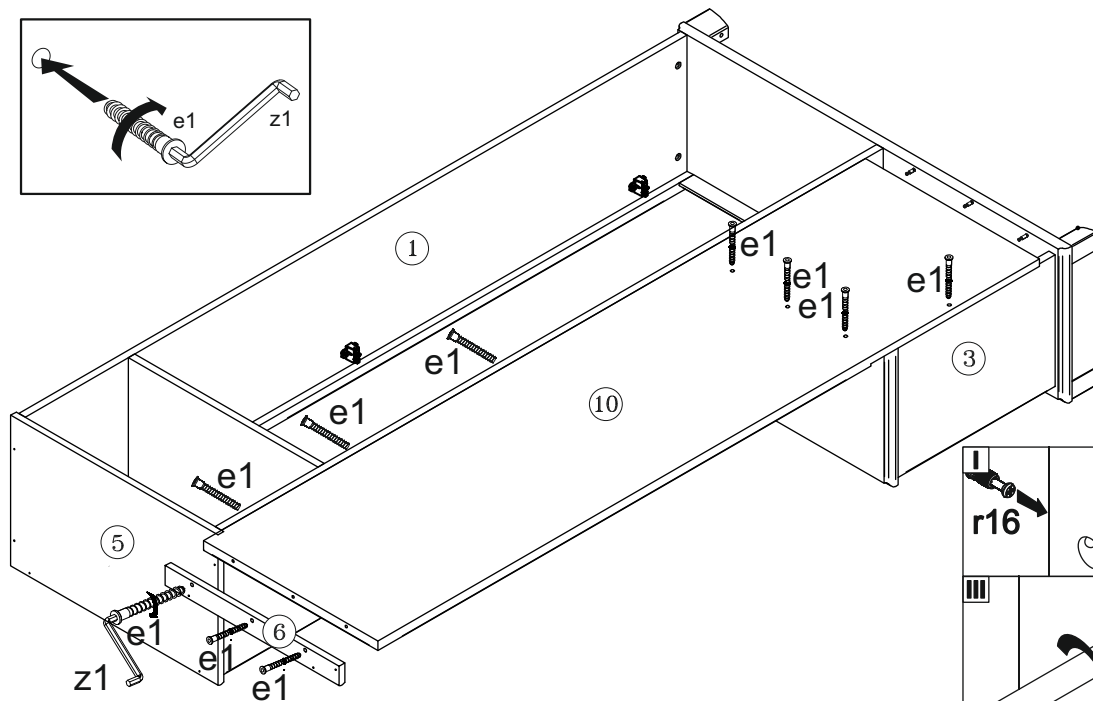
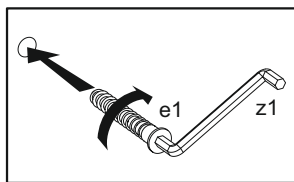


3x  a43	3x  b18	3x  c35 <sup>1</sup>	3x  q40	1x  d4 Ø6x15 mm	12x  e1 Ø7x50 mm	6x  e5 Ø6,3x13 mm	2x  o15 <sup>1</sup>	2x  o15 <sup>2</sup>
18x  e7 Ø6,3x16 mm	3x  e8 Ø7x60 mm	40x  f1 Ø8x30 mm	3x  g17	3x  g18	6x  g19	3x  j20 M4x33 mm	2x  o15 <sup>3</sup>	1x  y1 Клей
m17 o15 <sup>2</sup> o15 <sup>3</sup> o15 <sup>4</sup>		2x  m17	2x  n40	4x  n40	10x  p15 Ø2,5x13 mm	4x  p18 Ø4x18 mm	1x  z1	1x  n26 <sup>1</sup>
5x  p38 Ø3,5x16 mm	2x  p39 Ø4x20 mm	8x  p46 Ø3x7 mm	10x  p399 Ø4x22 mm	19x  r1 Ø15 #16	2x  o15 <sup>4</sup>	1x		
2x  r6 Ø8/M6x11 mm	19x  r16	5x  s1	12x  s2					

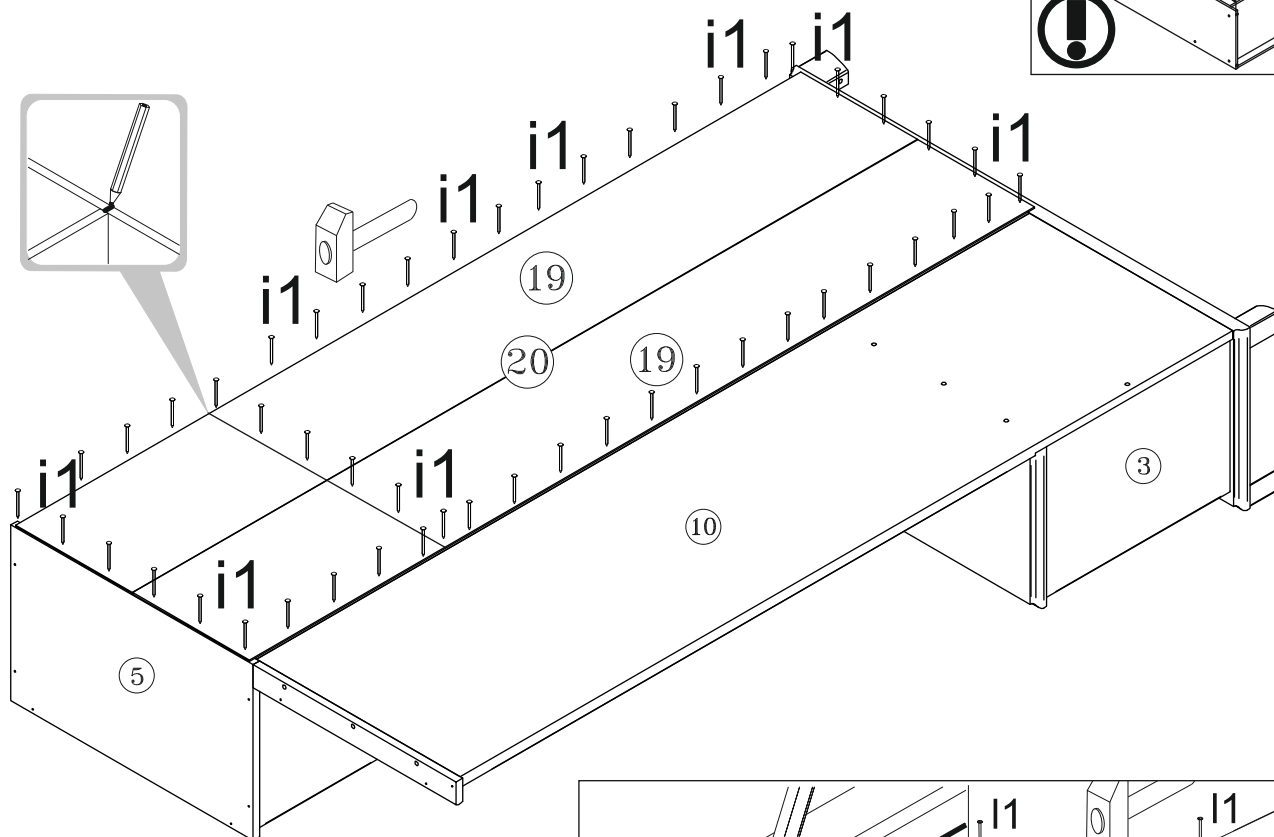
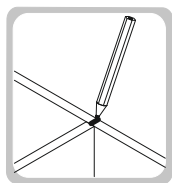




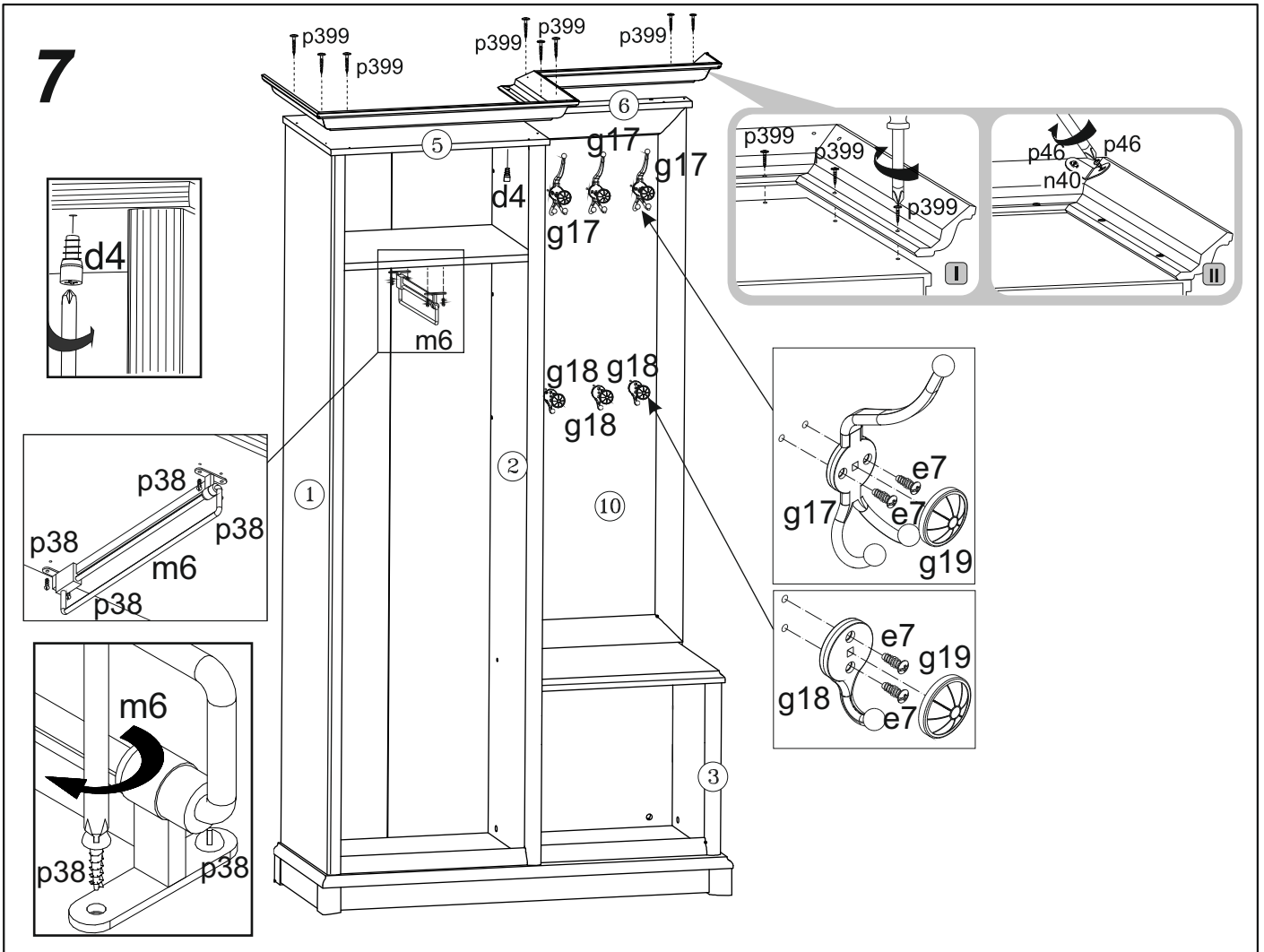
# 5



# 6



# 7



# 8

